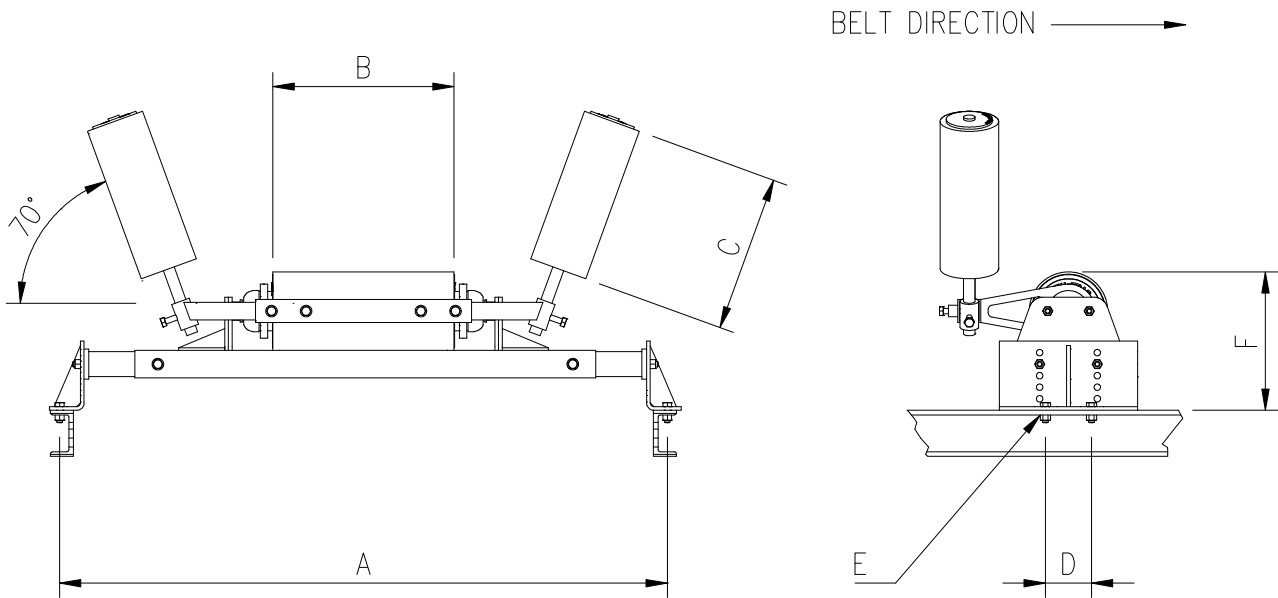


# TECHNICAL DATA

## Tru-Trac Trough Tracker - Heavy Duty

Outside Rubberised drum = 182 Dia\*



Compatible with all troughing angles

Code	Belt width	A (Adjustable) + / - 50	B	C	D Min - Max	E (Slot)	F Min - Max	Weight (Kg)
TTT120DD	1200	1448	465	340	195 - 275	22 x 80	210 - 330	106
TTT135DD	1350	1600	670	450	195 - 275	22 x 80	210 - 330	114
TTT140DD	1400	1700	670	450	195 - 275	22 x 80	210 - 330	115
TTT150DD	1500	1752	670	450	195 - 275	22 x 80	210 - 330	116
TTT160DD	1600	1900	670	450	195 - 275	22 x 80	210 - 330	118
TTT165DD	1650	1904	670	450	195 - 275	22 x 80	210 - 330	120
TTT180DD	1800	2058	820	450	195 - 275	22 x 80	210 - 330	125
TTT200DD	2000	2210	820	450	195 - 275	22 x 80	210 - 330	128
TTT210DD	2100	2362	930	450	195 - 275	22 x 80	210 - 330	132
TTT220DD	2200	2420	930	450	195 - 275	22 x 80	210 - 330	136
TTT230DD	2300	2515	930	450	195 - 275	22 x 80	210 - 330	140
TTT240DD	2400	2668	1070	450	195 - 275	22 x 80	210 - 330	144
TTT250DD	2500	2770	1070	450	195 - 275	22 x 80	210 - 330	148

All dimensions in mm

**Non standard trackers can be made to customer specifications**

\*182 dia, represents the minimum diameter, the actual dia can vary between 180 to 184

\*\* Note: Steel Bearing Housings, Heavy Duty Shaft, Dim B. Full face is rubberised

**TRU-TRAC ROLLERS (PTY) LTD**

Tel: +27 (12) 661-9531 Fax: +27 (12) 661-9489 Web Page: <http://www.tru-trac.com>  
Email: [info@tru-trac.com](mailto:info@tru-trac.com) PO Box 8707 Centurion 0046