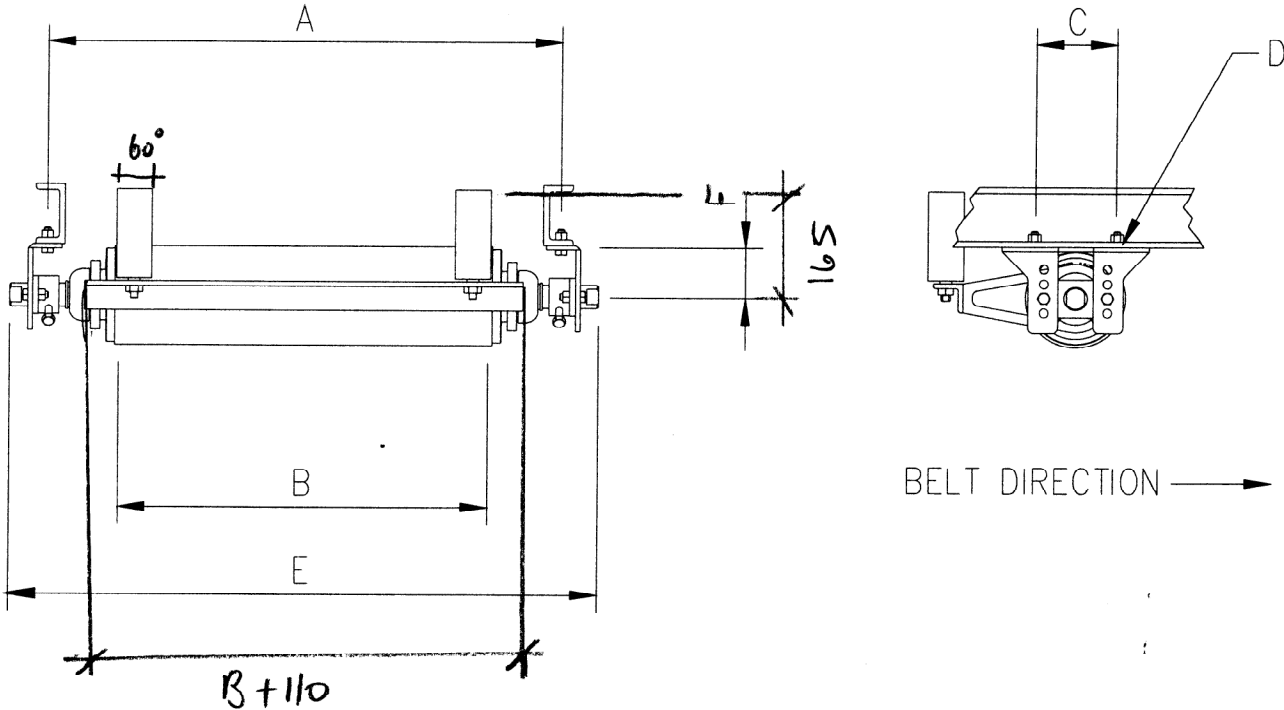


TECHNICAL DATA

Tru-Trac Flat Return Tracker - Low Speed

Outside Rubberised drum = 170 Dia*
 Shaft = 40 Dia



Compatible with both 90 & 45 Drops

Code	Belt width	A Adjustable	B	C Min - Max	D (Slot)	E	F	Weight (Kg)
TTFLS45	450	686	490	85 - 195	14 X 70	850	40-115	43
TTFLS50	500	736	540	85 - 195	14 X 70	900	40-115	45
TTFLS60	600	838	640	85 - 195	14 X 70	1000	40-115	48
TTFLS65	650	890	690	85 - 195	14 X 70	1050	40-115	49
TTFLS75	750	990	790	85 - 195	14 X 70	1150	40-115	52
TTFLS80	800	1040	840	85 - 195	14 X 70	1200	40-115	53
TTFLS90	900	1144	940	85 - 195	14 X 70	1300	40-115	58
TTFLS100	1000	1240	1040	85 - 195	14 X 70	1400	40-115	62
TTFLS105	1050	1296	1090	85 - 195	14 X 70	1450	40-115	63
TTFLS120	1200	1448	1240	85 - 195	14 X 70	1600	40-115	68
TTFLS135HD	1350	1600	1390	85 - 195	14 X 70	1780	40-115	93
TTFLS140HD	1400	1700	1440	85 - 195	14 X 70	1830	40-115	94
TTFLS150HD	1500	1752	1540	85 - 195	14 X 70	1930	40-115	96

All dimensions in mm

Non standard trackers can be made to customer specifications

170 dia, represents the minimum diameter, the actual dia can vary between 170 to 174

HD = Steel Bearing Housings, Heavy Duty Shaft, Full face is rubberised

TRU-TRAC ROLLERS (PTY) LTD

Tel: +27 (12) 661-9531 Fax: +27 (12) 661-9489 Web Page: <http://www.tru-trac.com>
 Email: info@tru-trac.com PO Box 8707 Centurion 0046