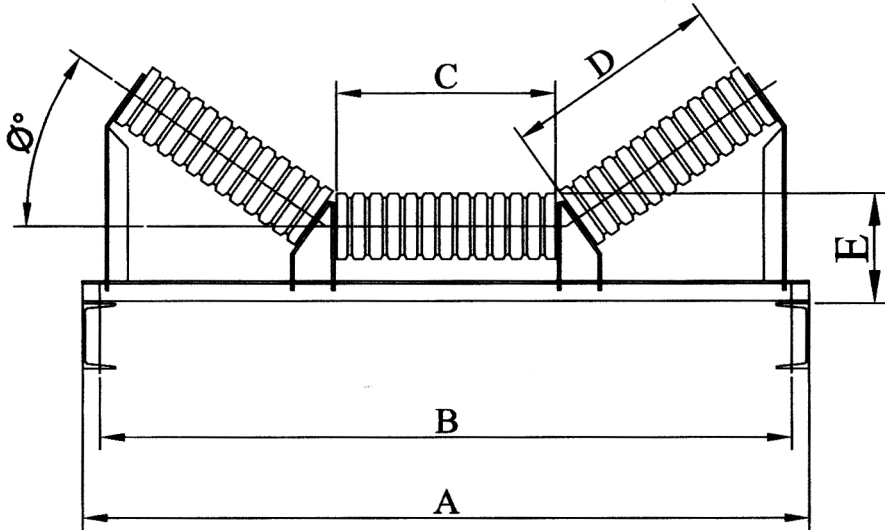


TRU-TRAC ROLLERS (PTY) LTD

FRIFLO IMPACT PAD DATA SHEET

THE IMPACT BEDS ARE CUSTOM DESIGNED AND BUILT TO SUIT YOUR APPLICATION.
THE FOLLOWING DATA IS REQUIRED TO ASSIST US IN THE DESIGN OF THE SUPPORT FRAME.



A		mm
B		mm
C		mm
D		mm
E		mm
Ø		DEG

CONVEYOR DETAILS:

CONVEYOR REF.	
BELT WIDTH (mm)	
BELT SPEED (m/sec)	
TROUGH ANGLE (Ø °) UNDER THE CHUTE	
3 OR 5 ROLL TROUGH CONFIGURATION	
MATERIAL DETAILS	
MAX. LUMP SIZE (mm) / WEIGHT	
CAPACITY (TPH)	
FREE FALL HEIGHT (M)	
TYPE OF IMPACT FRAME (Medium / Heavy Duty)	

ADDITIONAL INFORMATION IF ANY:

CLIENT:	PHONE NO.:
CONTACT PERSON:	FAX NO.:
	E-MAIL.:
REP./CLIENT (NAME & SIGN)	