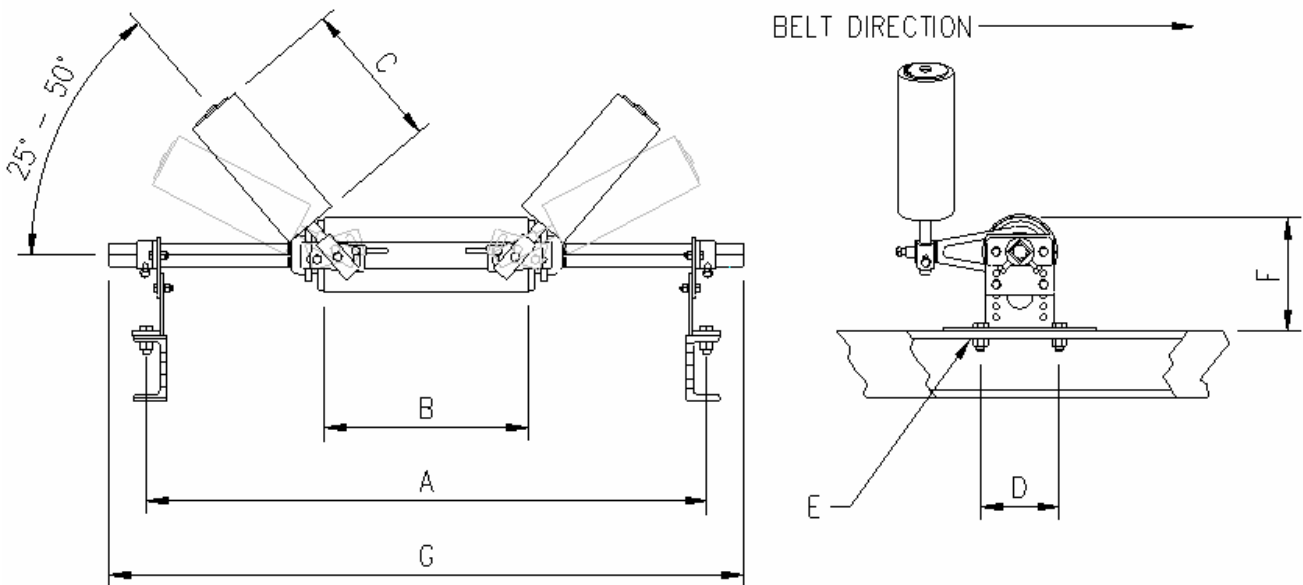


TECHNICAL DATA

Tru-Trac Trough Tracker – Load Carrying Design

Outside rubberised drum = 170 Dia *



Compatible with all troughing angles

Code	Belt width	A Adjustable	B	C	D Min - Max	E (Slot)	F Min - Max	G	Weight (Kg)
TTT45L	450	686	200	240	90 – 190	20 x 70	135 – 310	850	34
TTT50L	500	736	200	240	90 – 190	20 x 70	135 – 310	900	34
TTT60L	600	838	265	240	90 – 190	20 x 70	135 – 310	1000	45
TTT65L	650	890	265	240	90 – 190	20 x 70	135 – 310	1050	45
TTT75L	750	990	265	340	90 – 190	20 x 70	135 – 310	1150	46
TTT80L	800	1040	265	340	90 – 190	20 x 70	135 – 310	1200	46
TTT90L	900	1144	365	340	90 – 190	20 x 70	135 – 310	1300	55
TTT100L	1000	1240	365	340	90 – 190	20 x 70	135 – 310	1400	55
TTT105L	1050	1296	365	450	90 – 190	20 x 70	135 – 310	1450	56
TTT120L	1200	1448	465	450	90 – 190	20 x 70	135 – 310	1600	56

All dimensions in mm

Non standard trackers can be made to customer specifications

* 170 dia, represents the minimum diameter, the actual dia can vary between 170 to 174

TRU-TRAC ROLLERS (PTY) LTD

Tel: +27 (12) 661-9531 Fax: +27 (12) 661-9489 Web Page: <http://www.tru-trac.com>
Email: info@tru-trac.com PO Box 8707 Centurion 0046