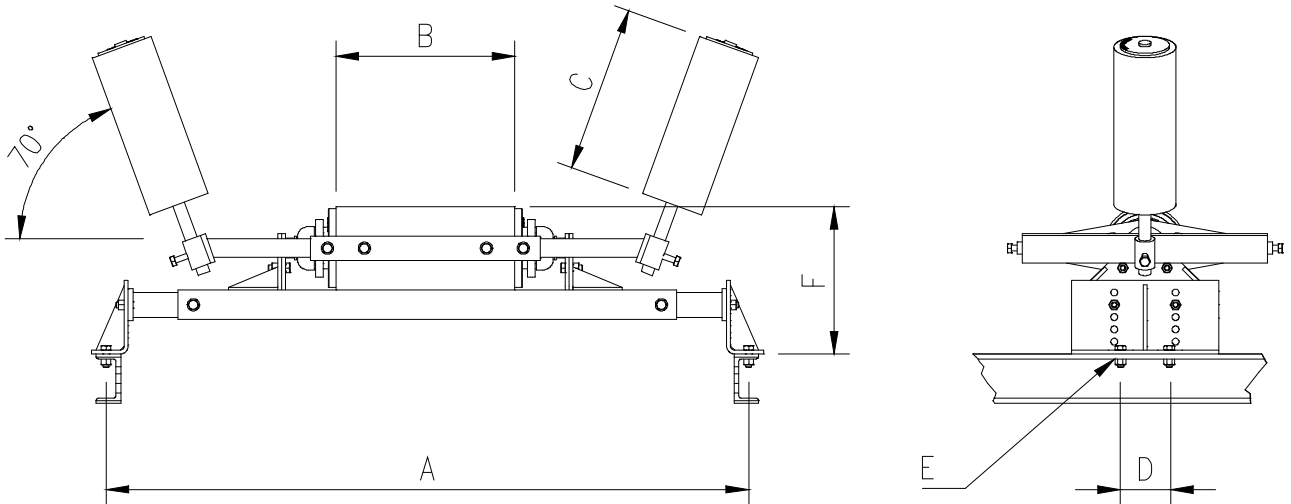


# TECHNICAL DATA

## Tru-Trac Trough Reversible Tracker

**Outside rubberised drum = 170 Dia \***



Compatible with all troughing angles

Code	Belt width	A (Adjustable) + / - 50	B	C	D Min - Max (Pitch)	E (Slot)	F Min - Max
TTT45REV	450	686	220	240	65 - 135	15 x 50	215 - 315
TTT50REV	500	736	265	240	65 - 135	15 x 50	215 - 315
TTT60REV	600	838	265	240	65 - 135	15 x 50	215 - 315
TTT65REV	650	890	265	240	65 - 135	15 x 50	215 - 315
TTT75REV	750	990	365	240	65 - 135	15 x 50	215 - 315
TTT80REV	800	1040	365	240	65 - 135	15 x 50	215 - 315
TTT90REV	900	1144	365	340	65 - 135	15 x 50	215 - 315
TTT100REV	1000	1240	365	340	65 - 135	15 x 50	215 - 315
TTT105REV	1050	1290	465	340	65 - 135	15 x 50	215 - 315
TTT120REV	1200	1448	465	340	65 - 135	15 x 50	215 - 315
TTT135REV	1350	1600	640	450	65 - 135	15 x 50	215 - 315
TTT150REV	1500	1752	640	450	65 - 135	15 x 50	215 - 315

All dimensions in mm

**Non standard trackers can be made to customer specifications**

\*170 dia, represents the minimum diameter, the actual dia can vary between 170 to 174

**TRU-TRAC ROLLERS (PTY) LTD**

Tel: +27 (12) 661-9531 Fax: +27 (12) 661-9489 Web Page: <http://www.tru-trac.com>  
Email: [info@tru-trac.com](mailto:info@tru-trac.com) PO Box 8707 Centurion 0046