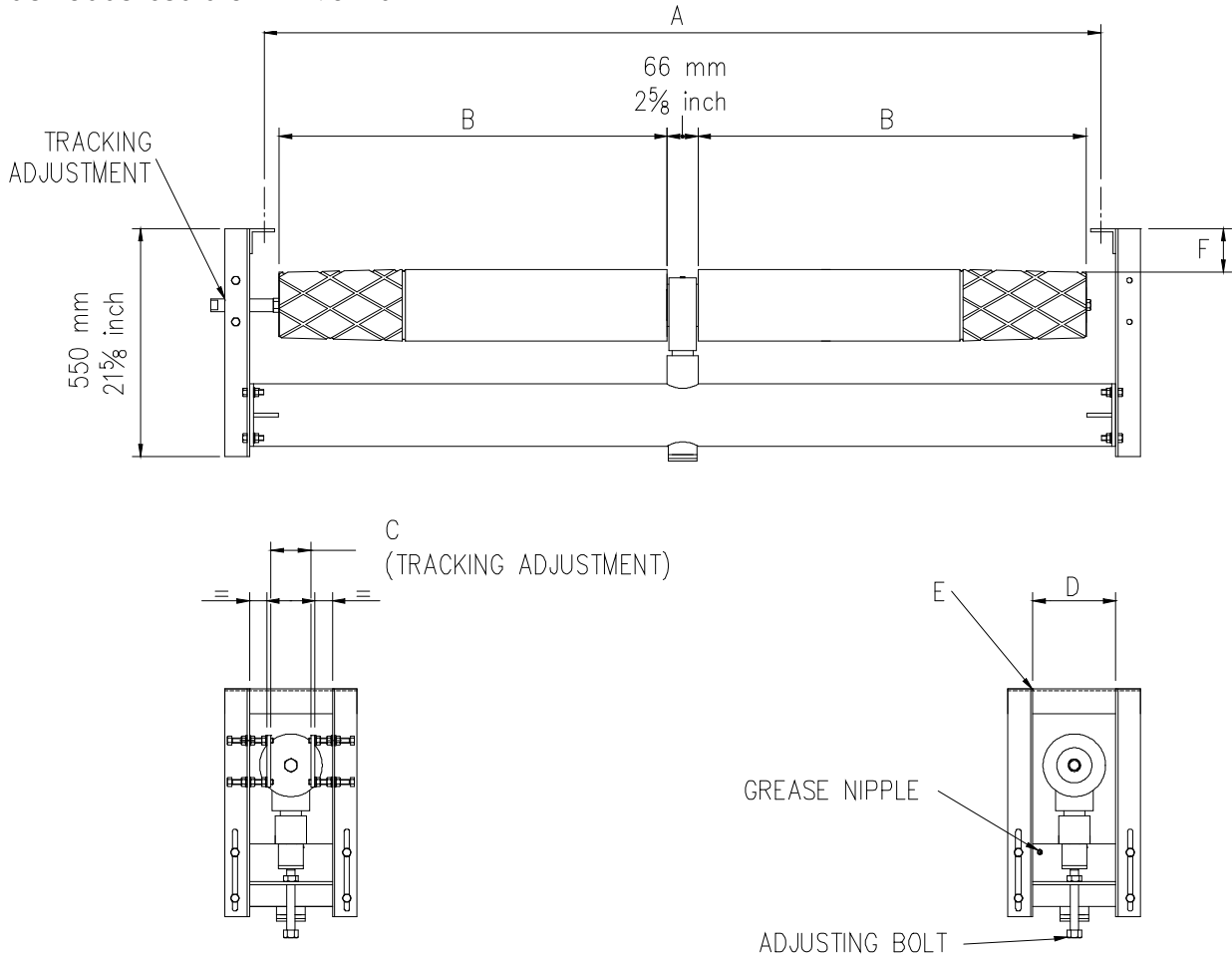


# TECHNICAL DATA

## Tru-Trac Dual Return Tracker

Outside Rubberised drum = 170 Dia\*



Code	Belt width	A	B	C (For ideal included angle = 4,5°)	D Min - Max (Pitch)	E (Slot)	F Min - Max	Weight (Kg)
TTDR120A	1200	1448	630	90	90 -215	17 x 80	15 - 130	134
TTDR135A	1350	1600	705	92	90 -215	17 x 80	15 - 130	138
TTDR140A	1400	1700	730	94	90 -215	17 x 80	15 - 130	140
TTDR150A	1500	1752	780	98	90 -215	17 x 80	15 - 130	152
TTDR160A	1600	1900	855	102	90 -215	17 x 80	15 - 130	158
TTDR165A	1650	1904	855	104	90 -215	17 x 80	15 - 130	159
TTDR180A	1800	2058	930	110	90 -215	17 x 80	15 - 130	167
TTDR200A	2000	2210	1040	118	90 -215	17 x 80	15 - 130	190
TTDR210A	2100	2362	1090	122	90 -215	17 x 80	15 - 130	198
TTDR220A	2200	2420	1140	126	90 -215	17 x 80	15 - 130	206
TTDR230A	2300	2515	1190	130	90 -215	17 x 80	15 - 130	214
TTDR240A	2400	2668	1240	134	90 -215	17 x 80	15 - 130	220
TTDR250A	2500	2770	1290	138	90 -215	17 x 80	15 - 130	228
TTDR260A	2600	2820	1340	142	90 -215	17 x 80	15 - 130	306

All dimensions in mm

**Non standard trackers can be made to customer specifications**

\*170 dia, represents the minimum diameter, the actual dia can vary between 170 to 174

**TRU-TRAC ROLLERS (PTY) LTD**

Tel: +27 (12) 661-9531 Fax: +27 (12) 661-9498 Web Page: <http://www.tru-trac.com>  
Email: [info@tru-trac.com](mailto:info@tru-trac.com) PO Box 8707 Centurion 0046