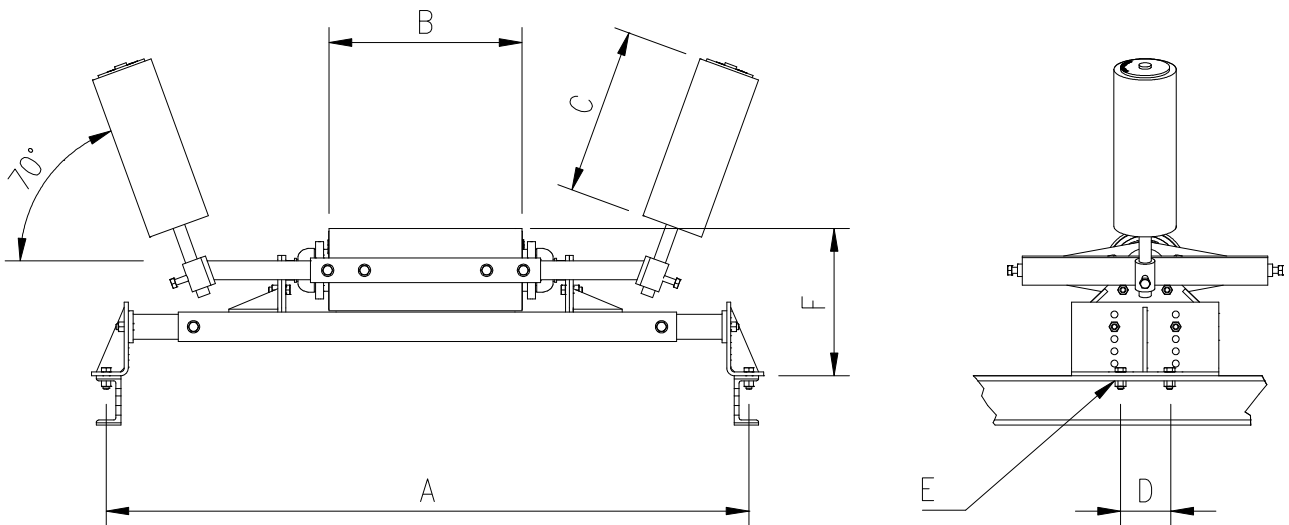


TECHNICAL DATA

Tru-Trac Trough Reversible Tracker Heavy Duty

Outside rubberised drum = 182 Dia *



Compatible with all troughing angles

Code	Belt width	A (Adjustable) + / - 50	B	C	D Min - Max	E (Slot)	F Min - Max
TTT135REV	1350	1600	570	450	195 - 275	22 x 60	210 - 330
TTT140REV	1400	1700	670	450	195 - 275	22 x 60	210 - 330
TTT150REV	1500	1752	670	450	195 - 275	22 x 60	210 - 330
TTT160REV	1600	1900	670	450	195 - 275	22 x 60	210 - 330
TTT165REV	1650	1904	670	450	195 - 275	22 x 60	210 - 330
TTT180REV	1800	2058	720	450	195 - 275	22 x 60	210 - 330
TTT210REV	2100	2362	790	550	195 - 275	22 x 60	210 - 330

All dimensions in mm

Non standard trackers can be made to customer specifications

*170 dia, represents the minimum diameter, the actual dia can vary between 170 to 174

** Note: Steel Bearing Housings, Heavy Duty Shaft, Dimension B : Full face is rubberised.

TRU-TRAC ROLLERS (PTY) LTD

Tel: +27 (12) 661-9531 Fax: +27 (12) 661-9489 Web Page: <http://www.tru-trac.com>
Email: info@tru-trac.com PO Box 8707 Centurion 0046