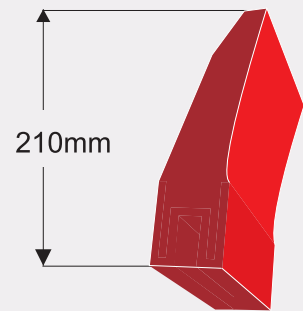
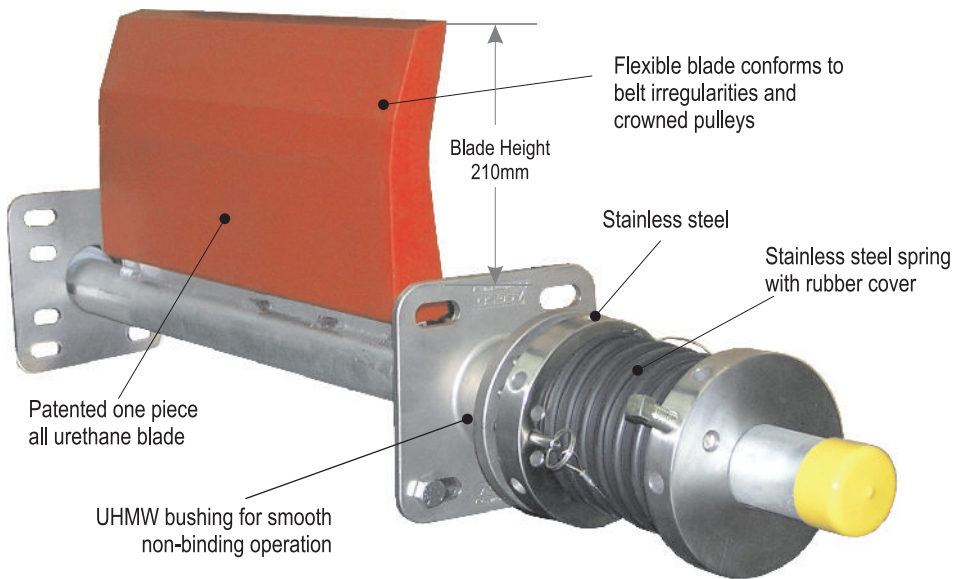


E-Z SKALPER

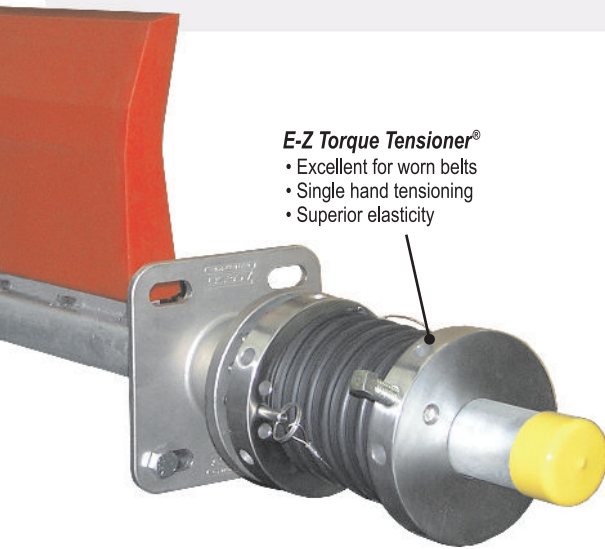
with E-Z Torque Tensioner
For Underground Mining

The **Tru-Trac E-Z Skalper** conveyor belt pre-cleaner provides effective carry-back removal in the toughest environments. The patented blade is designed for removing high volumes of material and for quick and easy maintenance.



- **Excellent Performance** - of our patented E-Z Skalper Blade design is available in a 1-piece blade or segmented blades that can be changed for the optimum in blade coverage across the belt's material carry path for better cleaning efficiency.
- **Advanced Composites** - using urethane composites, provides belt cleaner blades that can handle the toughest environments; Aggregate, Cement, Coal, Gypsum, Potash, Pulp and Paper and Coal industries.
- **E-Z Torque Tensioner** - (lifetime warranty) made of stainless steel allows the blades to self adjust and is the most robust and accurate belt cleaner tensioner in the industry.

**Single piece
100% urethane blade.
No steel or aluminum.
82° C**

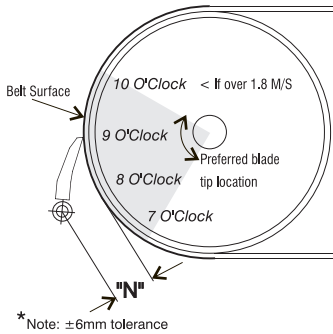


- E-Z Torque Tensioner®**
- Excellent for worn belts
 - Single hand tensioning
 - Superior elasticity

E-Z Skalper® Blade with E-Z Torque

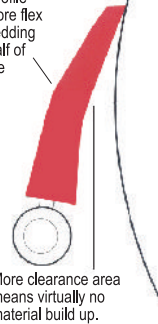
- The E-Z Skalper® blade uses Urethane, a special polymer designed to handle mechanical fasteners such as Flexco or Clipper.
- Single piece blade - not segmented - no trapping of materials which may endanger belt life. . . yet very flexible.
- The E-Z Skalper blade is extremely abrasion resistant and very flexible with high memory.
- E-Z Skalper Systems can be mounted in a variety of locations to give you maximum cleaning. Examples include the head, snub and bend pulleys
 - Proven particularly successful in applications as varied as coal, phosphate, fertilizer, aggregate, iron ore, taconite, silica sand, scrubber sludge, fly ash and many others.

Installation Dimensions



"N" Dimension Table	
Pulley Diameter	"N" Dimension
Note the tolerance is ± 6mm	
300mm	143mm
350mm	137mm
400mm	130mm
450mm	124mm
500mm	117mm
600mm	105mm

New blade profile generates more flex for better shedding during last half of blade wearlife



E-Z Skalper Features:

- Mounting tube will accept full belt width blades, BW-150, BW-300, BW-450, etc.
- Blade is 100% urethane™ - no steel, no aluminum
- Easy blade change, even in cold weather
- Standard one piece blade, 85 durometer
- Unique patented blade design
- No corrosion - no rust
- Torque wrench adaptor supplied to get accurate torque tension

Complete E-Z Skalper

Part Number	Belt Width
TTSCEZ90IV	900
TTSCEZ105IV	1050
TTSCEZ120IV	1200
TTSCEZ135IV	1350
TTSCEZ150IV	1500
TTSCEZ165IV	1650
TTSCEZ180IV	1800

Replacement Blades

Part Number	Blade Width
TTSCEZBL75IV	750
TTSCEZBL90IV	900
TTSCEZBL105IV	1050
TTSCEZBL120IV	1200
TTSCEZBL135IV	1350
TTSCEZBL150IV	1500
TTSCEZBL165IV	1650
TTSCEZBL180IV	1800



Tru-Trac Rollers (Pty) Ltd.
Conveyor Belt Technology