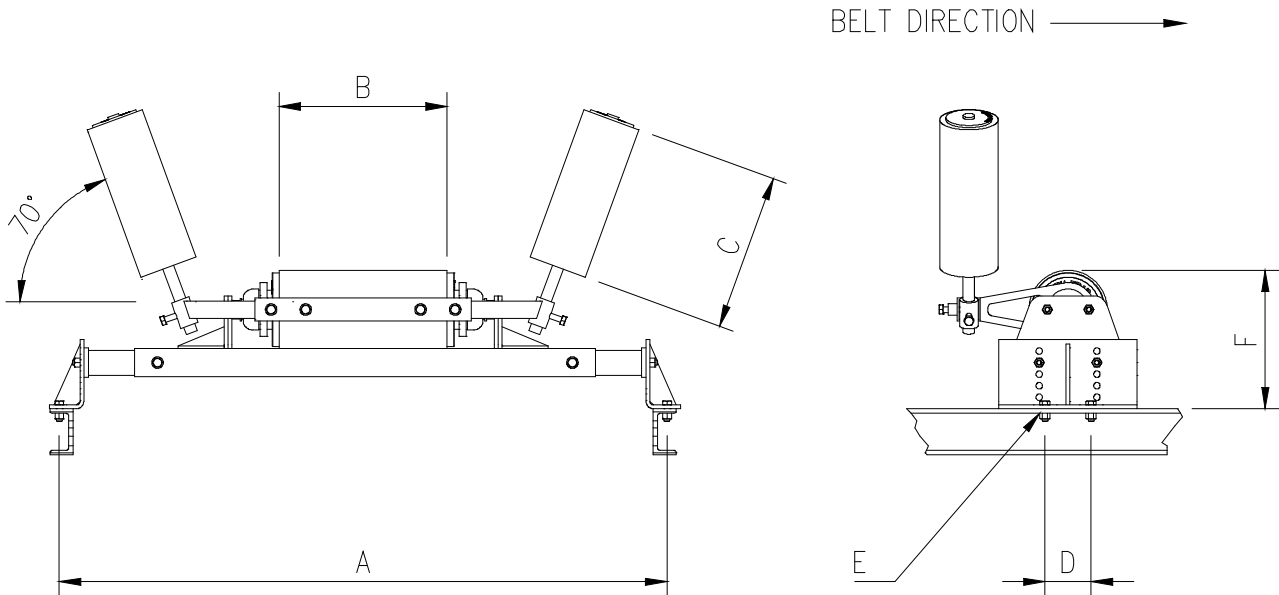


TECHNICAL DATA

Tru-Trac Trough Tracker Medium Duty

Outside rubberised drum = 170 Dia *



Compatible with all troughing angles

Code	Belt width	A (Adjustable) + / - 50	B	C	D Min - Max	E (Slot)	F Min - Max	Weight (Kg)
TTT135MD	1350	1600	670	450	195 - 275	22 x 80	210 - 330	75
TTT140MD	1400	1700	670	450	195 - 275	22 x 80	210 - 330	78
TTT150MD	1500	1752	670	450	195 - 275	22 x 80	210 - 330	82

All dimensions in mm

Non standard trackers can be made to customer specifications

*170 dia, represents the minimum diameter, the actual dia can vary between 170 to 174

TRU-TRAC ROLLERS (PTY) LTD

Tel: +27 (12) 661-9531 Fax: +27 (12) 661-9489 Web Page: <http://www.tru-trac.com>
Email: info@tru-trac.com PO Box 8707 Centurion 0046